

AVERTX

HD6012-RW

2MP Low Profile
IR In-Ceiling Dome Camera With WDR

User Manual



Indoor Drop Ceiling IP Camera (HD6012-RW)
User Manual

Manual Edition 35286AA – DECEMBER 2016

©2015, AVERTX
All Rights Reserved.

No part of this documentation may be reproduced in any means, electronic or mechanical, for any purpose, except as expressed in the Software License Agreement. AvertX shall not be liable for technical or editorial errors or omissions contained herein. The information in this document is subject to change without notice.

The information in this publication is provided “as is” without warranty of any kind. The entire risk arising out of the use of this information remains with recipient. In no event shall AVERTX be liable for any direct, consequential, incidental, special, punitive, or other damages whatsoever (including without limitation, damages for loss of business profits, business interruption or loss of business information), even if AVERTX has been advised of the possibility of such damages and whether in an action or contract or tort, including negligence.

This documentation is copyrighted. All other rights are reserved to AVERTX. AVERTX, and AvertX, are registered trademarks of AVERTX in the United States and elsewhere; Windows, and Windows XP Embedded are registered trademarks of Microsoft Corporation. All other brand and product names are trademarks or registered trademarks of the respective owners.

AVERTX
Spokane, WA • U.S.A.

Important Safeguards

1. **Read Instructions**
Read all of the safety and operating instructions before using the product.
2. **Retain Instructions**
Save these instructions for future reference.
3. **Attachments / Accessories**
Do not use attachments or accessories unless recommended by the appliance manufacturer as they may cause hazards, damage product and void warranty.
4. **Installation**
Do not place or mount this product in or on an unstable or improperly supported location. Improperly installed product may fall, causing serious injury to a child or adult, and damage to the product. Use only with a mounting device recommended by the manufacturer, or sold with the product. To insure proper mounting, follow the manufacturer's instructions and use only mounting accessories recommended by manufacturer.
5. **Power source**
This product should be operated only from the type of power source indicated on the marking label.

Precautions

Operating

- Before using, make sure power supply and others are properly connected.
- While operating, if any abnormal condition or malfunction is observed, stop using the camera immediately and then contact your local dealer.

Handling

- Do not disassemble or tamper with parts inside the camera.
- Do not drop or subject the camera to shock and vibration as this can damage camera.
- Care must be taken when you clean the clear dome cover. Scratches and dust will ruin the image quality of your camera. Do not use strong or abrasive detergents when cleaning the camera body. Use a dry cloth to clean the camera when it is dirty. In case the dirt is hard to remove, use a mild detergent and wipe the camera gently.

Installation and Storage

- Do not install the camera in areas of extreme temperatures in excess of the allowable range. (14°F~ 122°F / -10°C ~ 50°C)
- Avoid installing in humid or dusty places. The relative humidity must be below 90%.
- Avoid installing in places where radiation is present.
- Avoid installing in places where there are strong magnetic fields and electric signals.
- Avoid installing in places where the camera would be subject to strong vibrations.
- Never face the camera toward the sun. Do not aim at bright objects. Whether the camera is in use or not, never aim it at the sun or other extremely bright objects. Otherwise the camera may be smeared and damaged.

Regulation

This device complies with Part 15 of the FCC Rules. Operation is subject to the following two conditions: (1) this device may not cause harmful interference, and (2) this device must accept any interference received, including interference that may cause undesired operation.

Compliance is evidenced by written declaration from our suppliers, assuring that any potential trace contamination levels of restricted substances are below the maximum level set by EU Directive 2002/95/EC, or are exempted due to their application.

Warning

DANGEROUS HIGH VOLTAGES ARE PRESENT INSIDE THE ENCLOSURE.
DO NOT OPEN THE CABINET.
REFER SERVICING TO QUALIFIED PERSONNEL ONLY.

Caution

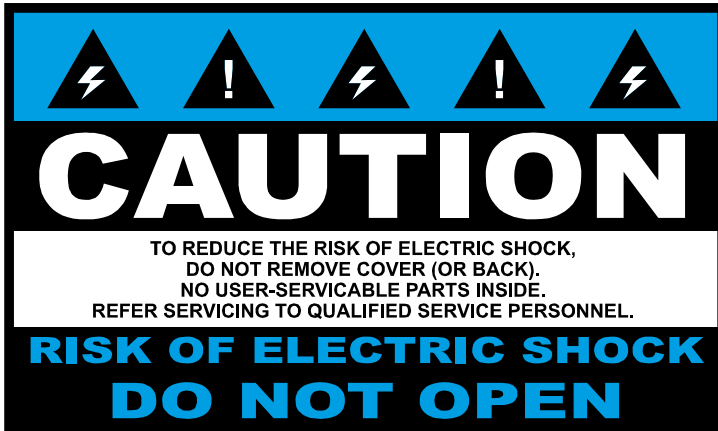


TABLE OF CONTENTS

Table of Contents	7
Introduction	10
Overview	10
Product Features	10
Getting Started	11
Box Contents	11
Camera Overview	12
Camera Diagram	12
Camera Dimensions	13
Connections.....	14
Indoor Cameras	14
POE Power Source.....	14
12vDC Power Source	15
Ports and Connections.....	16
External Connections	16
Locate Camera	17
AvertX Network Camera manager.....	17
Installation.....	17
Starting Network Camera Manager	17
Camera Configuration.....	18
Device Addressing.....	18
Finding Network Devices	18
Viewing a Network Camera.....	19
Connecting to the Camera.....	20
Resetting the Camera.....	20
Administrator/User Privileges	20
Connecting Over the Internet	21
Viewer Software.....	22
Viewer Tabs.....	22
Live	23
Setup	24
System Setting.....	24
Camera Name	24
IP Address	24

Get IP an Address Automatically (DHCP).....	25
Use Static IP Address	25
IPv6 Address Configuration.....	26
User Setup.....	26
Admin Password	26
Add User	26
Delete User	26
Modify User	27
File Location	27
Picture Setting	28
Picture Setup	28
Camera Tab	28
Exposure	28
White Balance	28
Picture Adjustment.....	29
Motion Detection.....	29
Add Detection Window.....	30
Delete Motion Detection Window	30
Motion Window	30
Stream Settings	31
Video Resolution	31
Video Orientation	32
GOP Size	32
H.264 Profile	32
Video Frame Rate	32
Video Compression	33
Advanced.....	34
System Setting.....	34
Network Setup	34
DDNS	34
Network Advanced	34
QoS	34
SNMP Settings.....	35
UPnP (Universal Plug N' Play).....	35
Network Security	35
HTTP	35
IP Filtering	35
IEEE 802.1XSEAP-TLS	35

Alarm Application.....	36
Tampering and Network Failure Detection.....	37
Mail, HTTP and FTP Setup	38
SD Card.....	38
Network Share	39
Recording Schedule	40
Recording.....	40
Schedule	41
Interval Recording.....	41
Maintenance	42
Configuration.....	42
Factory Default.....	42
Software.....	43
Picture Setting	43
Video Mask.....	43
Hot Spot.....	43
Text Overlay	43
Streaming Setting	44
Audio.....	44
Logout.....	44
Specifications.....	45
Camera Specifications.....	45

INTRODUCTION

OVERVIEW

The AvertX IP Mini Dome cameras are capable of providing real time streaming video with smooth image quality. The IP Mini Dome cameras offer quad streaming and can be used in a variety of installations including shops, stores, banks, parking lots, factories and for building surveillance.

With Power over Ethernet (PoE) the need for separate power lines is eliminated and cabling and installation costs can be significantly reduced. The light weight, small size, and large degree of rotation of the IP Mini Dome facilitates quick and simple installation on either the ceiling or walls of structures or vehicles.

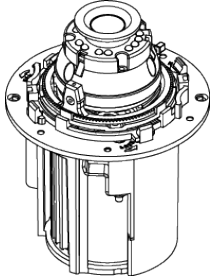
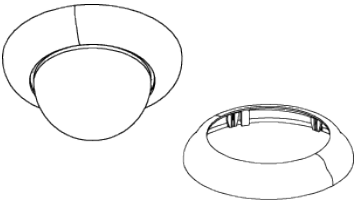
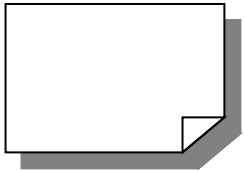
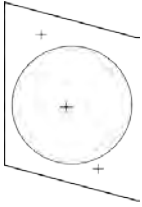



Product Features

- ONVIF Compliant, Profile S
- 1080p (2 MP) Resolution
- 30fps at All Resolution
- Simultaneous Dual-Stream
- 1/2.8" CMOS Sensor
- 4 mm Lens
- True Day/Night with IR Cut Filter
- True Wide Dynamic Range
- 3D-DNR (3D Digital Noise Reduction)
- Motion Detection
- 1 Sensor Input, 1 Sensor Output
- Micro SD/SDHC Card Slot (Card Not Included)
- Power Over Ethernet (PoE) & DC12V

GETTING STARTED

BOX CONTENTS

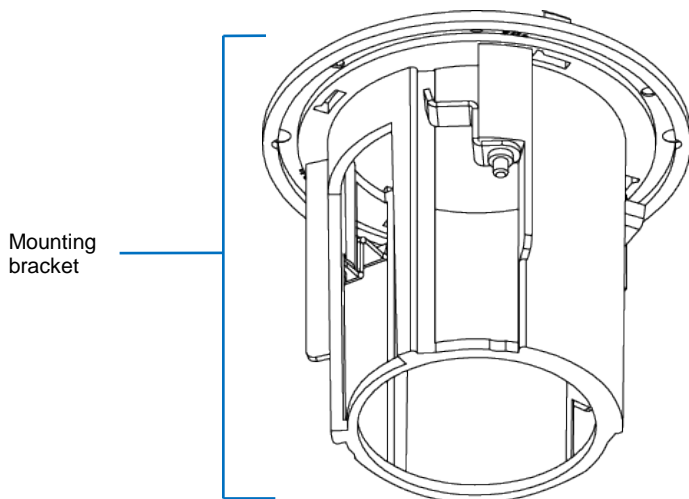
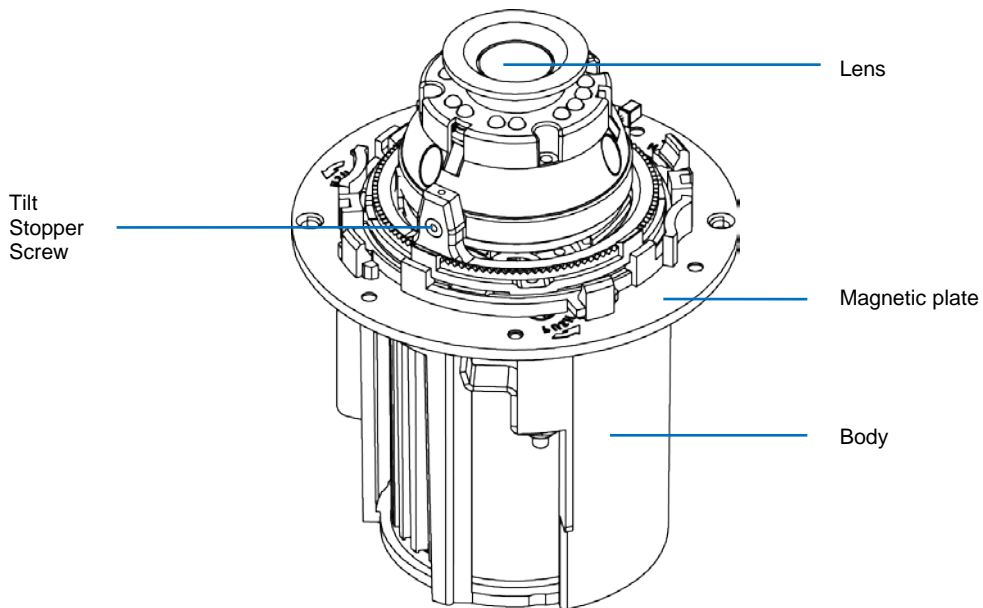
Before proceeding, please check that the box contains the items listed here. If any item is missing or has defects, DO NOT install or operate the product and contact your dealer for assistance.

 <p>Camera</p>	 <p>Dome Cover and Deco Rings</p>
 <p>Quick Start Guide</p>	 <p>Mounting Template Sheet</p>
 <p>Screws and Plastic Anchors x 2</p>	 <p>Audio Alarm Cable</p>
 <p>Power Cable</p>	

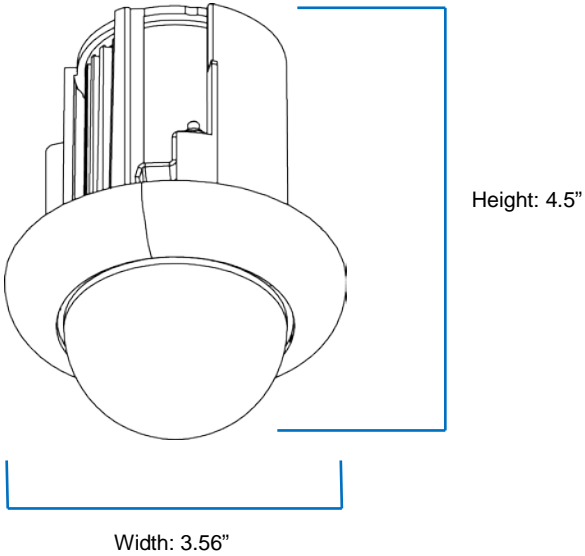
CAMERA OVERVIEW

Before installing or connecting the dome camera, please refer to this section and complete preparations for dome setup and all switch settings.

Camera Diagram



Camera Dimensions



Connections

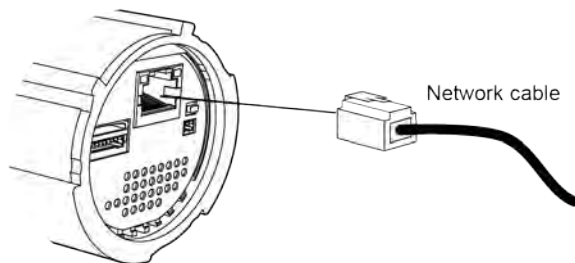
Indoor Cameras

The camera is compatible with 12vDC and Power over Ethernet (PoE). Connect power to the camera using the provided power connector lead or connect the camera to a PoE power source. If you are connecting 12vDC power, verify the polarity of the power connection. If you are using PoE, make sure the Power Sourcing Equipment (PSE) is in use in the network.

Check the status of the network connection by looking at the link indicator and activity indicator LEDs. If the LEDs are not lit check your network connection. The green link LED indicates a network connection and the orange activity LED flashes to indicate network activity.

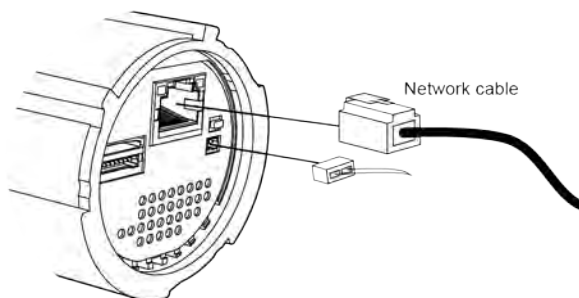
POE Power Source

PoE allows for the transmission of power and data via a single Ethernet cable. PoE eliminates the need for multiple cables to support power and recording. Follow the installation below to connect the camera to a PoE-enabled switch using an Ethernet cable.

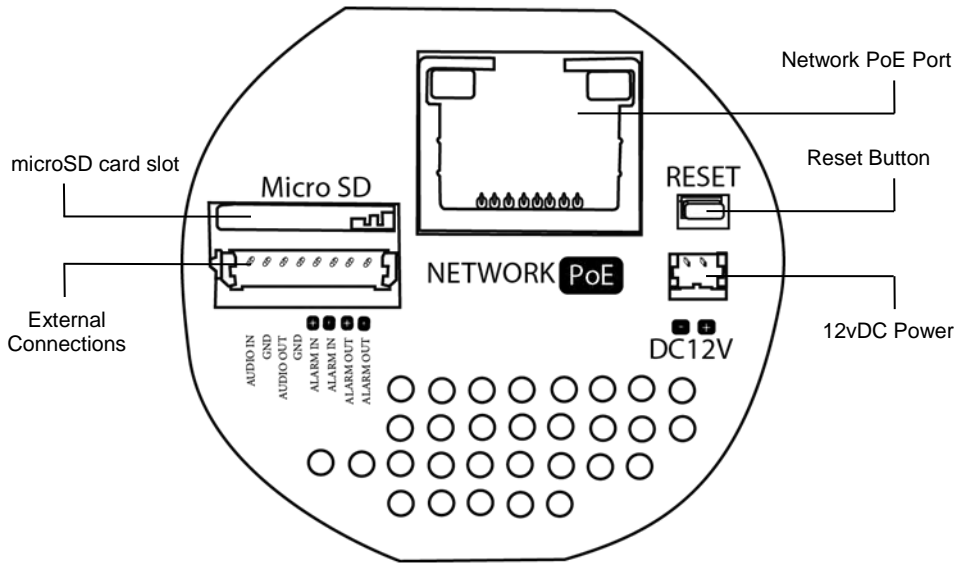


12vDC Power Source

If PoE is not being used, a power adapter is needed to power the camera. An additional 12vDC connector cable is required.

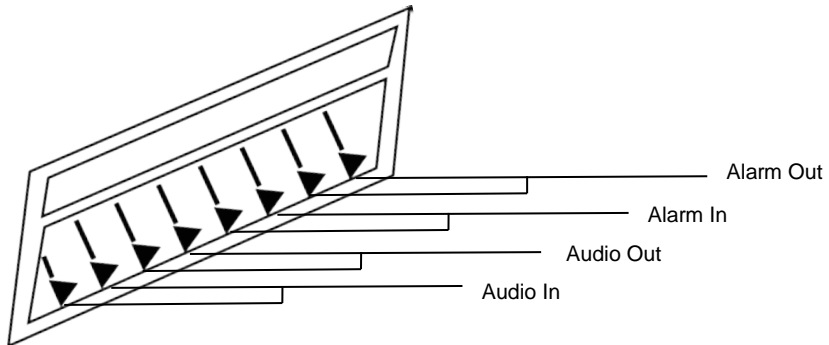


Ports and Connections



External Connections

The camera eight pins for alarm and audio input and output. These are labeled on the rear of the camera. Each camera has an included connector with cables that can be used to connect audio and alarm devices.



LOCATE CAMERA

AVERTX NETWORK CAMERA MANAGER

AvertX Network Camera Manager is a software tool that allows you to quickly and easily connect and configure your AvertX IP Cameras. This software allows you to assign IP addresses, manage users, configure video settings, and update firmware on multiple cameras at once.

The Network Camera Manager software is pre-installed on all AvertX Recorders, and included on the software CD with all AvertX IP cameras. It is also available for download on the AvertX website.

Installation

You can install Network Camera Manager on any personal computer (PC) or laptop using the software CD included with your AvertX IP camera or by downloading the program from Avertx.com.

Note Network Camera Manager will only work on PCs or laptops that use a Windows operating system. It is compatible with Windows XP, Vista, 7, and 8.

Starting Network Camera Manager

After installing the program on your PC or laptop, open the program to begin configuring your cameras.

To access Network Camera Manager on an AvertX recorder, you must operate the recorder in Windows Mode.

1. In the Live Screen, click **Exit**.
2. Click **Restart in Windows Mode**.
3. Click **OK**.
4. Double-click **Network Camera Manager**.

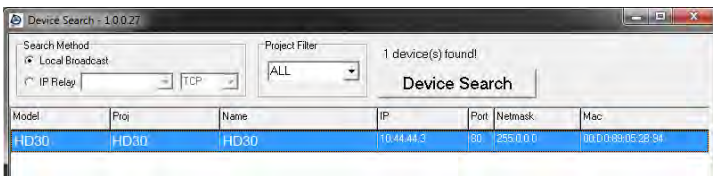
CAMERA CONFIGURATION

Device Addressing

The functions on the Device Addressing tab allow you to find, configure, and view network cameras.

Finding Network Devices

1. Click **Find Devices** on the **Device Addressing** tab.
2. To narrow your search by **Camera Model**, **Project**, or **Camera Name**, select your desired criteria from the appropriate lists.



Viewing a Network Camera

1. To view a network camera over the web using the camera's viewer software, double-click the name of the camera.
2. Click **Browse**.
3. Enter the **Username** and **Password** for the camera. The username and password are case sensitive. It is strongly recommended that the password be changed after the initial setup to prevent unauthorized access. The default username and password for AvertX IP cameras are as follows.
Username – Admin
Password – 1234
4. The viewer software is now opened in **Internet Explorer**.

Note The viewer software will install automatically the first time you connect to the camera. If your internet browser does not install the viewer software, check the security settings or ActiveX controls and plug-in settings. If your internet browser asks for permission to install the ActiveX control, you must allow the ActiveX control to continue the installation. If you are prompted to allow an add-on, click **Allow**.

5. You can now configure your camera using the Viewer Software. For more information on using Viewer software, please see the user manual for your camera.

CONNECTING TO THE CAMERA

1. Locate the camera on the IP Finder list.
2. Double-click the camera to open the Viewer software in your web browser.
3. Click **Browse** in the pop-up window.
4. Log in to the camera with the appropriate User Name and Password.

Note The default User name is admin and the default Password is1234. The username and password are case sensitive.

Resetting the Camera

If it is necessary to reset the camera to the factory default settings, hold down the Reset button (see Camera Overview) for 30 seconds. This will return all settings, including network setup, to the factory default.

Administrator/User Privileges

The Administrator account has the authority to configure the IP camera and authorize users' access to the camera. The User accounts have access to the camera with limited authority.

Connecting Over the Internet

There are some challenges with connecting to AvertX IP cameras over WAN (internet) connections because the camera streams video over RTSP. RTSP is an excellent protocol for media and is now used on many IP cameras (including AvertX) as the default streaming option.

RTSP, however, is not suitable for transmission between two locations that are behind different routers. In this case, the client (for example, the AvertX HVR or NVR server software) connects to the camera, and then requests a stream. The camera uses that connection to return a stream, but since the connection originated on the client side and has now switched to the camera (remote) side, the router does not have any way to determine where the traffic should be routed, so no video appears at the recorder. There are three solutions to this.

1. Connect modems on both sides directly to the recorder and camera. If there is no router, no network address translation is needed.
2. Use routers with VPN support and set up a small VPN. Once this is done, the traffic will be treated as though it were all on the local network.
3. **(Best solution)** – Use routers with **connection tracking**. This is quite easy; VOIP also uses RTSP and faces the same challenges. If a router is marketed as having “VOIP Support”, it will have the necessary connection tracking capability to allow any type of RTSP communication (not just VOIP).

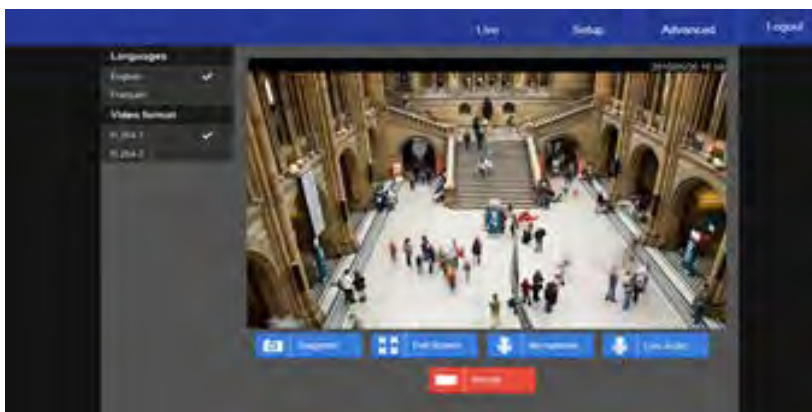
With proper planning and the correct equipment, RTSP cameras CAN stream over the WAN to a recording device for minimal additional cost and labor.

Please contact AvertX support if you require any additional information on these topics.

VIEWER SOFTWARE

To access the setup menu, you need to install the viewer software on your PC or recorder. The viewer software will install automatically the first time you connect to the camera. If your internet browser doesn't install the viewer software, check the security settings or ActiveX controls and plug-in settings. If your internet browser asks for permission to install the ActiveX control, you must allow the ActiveX control to continue the installation.

The first time you connect to a camera, the browser will ask for permission to install the ActiveX Control necessary to display the camera video. Right-click the information bar and click **Install ActiveX Control** to allow the installation.



Note IP camera audio is only available on the Indoor IP mini dome camera. The Talk button will not be available on the Outdoor version of the camera.

Viewer Tabs

Live – Monitor video and perform other video related functions.

Setup – Set the camera name, IP address, and define users. This tab also allows you to configure the camera settings and view streams.

Advanced – Perform advanced setup configurations, like network setup, security, alarms and maintenance.

Logout – Change user.

LIVE



Full Screen – This will display the live feed in full screen.

Snapshot – Click the button, and a JPEG snapshot will automatically be saved in the appointed place. The default location is: C:\.

Note If you are using Windows Vista or 7, you will need to change the Snapshot location. Windows UAC does not allow internet programs to write directly to C:\ for security reasons.

Record – Click **Record** to start recording live video. Click **Record** again to stop recording video. Recorded video will be saved automatically to the designated location on the local workstation. The default location is C:\. This location can be changed in **File Location**, in the **System** menu.

Note If you are using Windows Vista or 7, you will need to change the video clip location. Windows UAC does not allow internet programs to write directly to C:\ for security reasons.

Microphone – PC Network Camera Manager Software audio to camera, enables audio through an audio out on the camera.

Live Audio – Camera to PC Network Camera Manager Software, enables audio if a microphone is equipped to the camera.

Note The Microphone and Live Audio functions are only available on enable cameras. If the camera is not enabled for these features, an error message will display.

SETUP

SYSTEM SETTING

The Setup menu includes System Settings, Picture Setup, and Streaming Settings.

Note The Setup menu displays limited setup options. For a complete list of setup options, see the *Advanced* section.

Camera Name

Host Name – The Host Name is used to identify the camera on your system. If camera based Motion Detection is enabled and is set to send alarm message by Mail/FTP, the host name entered here will display in the alarm message.

Time Zone – Select your time zone.

Time Format – Select your desired time format.

Sync With Computer Time – Select to synchronize the camera date and time with the connected recorder.

Sync with NTP Server – Manual allows you to define the date and time manually. Network Time Protocol (NTP) is an alternate way to synchronize your camera's clock with a NTP server. Specify the server you wish to synchronize in the **NTP Server** box. Then select an **Update Interval**. For more information about NTP, visit www.ntp.org.



IP Address

You can choose to use a fixed IP address or a dynamic IP address (assigned by a DHCP server or router) for the camera.



Get IP an Address Automatically (DHCP)

The camera comes preconfigured with a fixed IP address, selecting **Get IP address automatically** requires a router or DHCP server to assign an IP address to the camera.

Note Every network device has a unique Media Access Control (MAC) address that can be used for identification. The MAC address is located on the bottom of each camera, and on the box label (AvertX Network Camera Manager also displays the MAC address for identification). Record your camera's MAC address for identification in the future.

Use Static IP Address

To set up a new static IP address:

1. Select the Use static IP address option.
2. Type a new IP address in the **IP address** box.
3. Type a new address in the **Default Gateway** box.
4. Click **Apply** to confirm the new setting.

When using static IP address to log in to the IP Camera, you can access it either through AvertX IP Finder software or type the IP address directly in the address bar of your Internet Explorer.

- **IP Address** – The IP Address is necessary for network identification.
- **Subnet mask** – Used to determine if the destination is in the same subnet. The default value is 255.255.255.0.
- **Default gateway** – Used to forward frames to destinations on different subnets or for internet access.
- **Primary DNS** – The primary domain name server that translates hostnames into IP addresses.
- **Secondary DNS** – A secondary domain name server that backups the primary DNS.
- **Web Server port** – Defines the port that Internet Explorer uses to connect over the web and view video. If this port is changed then the new port must be defined when attempting to web connect (ex: if your camera's IP address is 192.168.0.100 and you change the web port to 8001, then you must type http://192.168.0.100:8001 in your browser).
- **RTSP port** – The default RTSP port is 554; setting range: 1024 ~65535.
- **MJPEG over HTTP port** – The default HTTP Port is 8008; setting range: 1024 ~65535.
- **HTTPS port** – The default HTTPS Port is 443; setting range: 1024 ~65535.

Note No port number can be used in duplication on more than one item.

IPv6 Address Configuration

To enable IPv6 select **Enable IPv6** and click **Save**. See your network administrator if you are unsure of your network configuration.

User Setup

Admin Password

Manage the password for the Administrator account.

To change the administrator password:

1. Type a new Administrator Password, and then type again to confirm the password.
2. Click **Save**.

Add User

The user name and passwords are limited to 16 characters with no spaces permitted. There is a maximum of twenty user accounts.

1. Type the new User name and Password.
2. Select I/O Access, Camera Control, Talk, and/or Listen as permissions for the User.

I/O Access – All functions in the Setup and Advanced menus are available to the User.

Camera Control– Allows the User to change camera controls in the Setup menu.

Talk – Allow the user to speak through the camera microphone.

Listen – Allow the user to listen to audio captured by the camera.

3. Click **Add**.

Delete User

1. Select the user name on the User Name list.
2. Click **Delete** to remove the user.
3. Click **OK** in the confirmation window.

There is a momentary wait time while the Network Camera Manager saves parameters. When this period is complete, the User will be deleted.

Modify User

1. Select the user name on the User Name list.
2. Click **Edit**.
3. In the resulting window, modify the Password and/or feature permissions.
4. Click **Save**.

Note For security reasons, every time the user properties are opened the access check boxes are automatically cleared. Make sure you select any user access options each time you edit the user properties.

File Location

This is the destination location that snapshot photos and recorded videos will be saved to.

To select a destination location:

1. Click **Select**.
2. Choose a location or folder.
3. Click **Save** in the file window, and then click **Save** again.

PICTURE SETTING

Picture Setup

Camera Tab

Use the Camera Tab section to modify picture settings for the camera. The sample image will change as you modify the picture settings.

Note These settings can drastically affect the camera image. AvertX suggests that these settings are only modified by a CCTV professional, or at the instruction of a technical support representative.

Exposure

Min Shutter Speed – Choose a pre-determined shutter speed.

Manual Mode – Changing the shutter mode to manual will allow you to select the minimum shutter speed that the camera will use. This can drastically change the amount of light entering the camera.

Click **Set** to save your changes.



White Balance

Use the white balance setting to change color representation in difficult lighting conditions.

Auto – White balance works within its color temperature range and calculates the best-fit white balance.

ATW – Auto-tracing white balance, the camera removes the signals within a range of 2000K to 10000K, which helps to even out the bright white portions of an image.

One Push – Balances color temperature based on a white object within the viewing area.

Manual – Change the white balance value by specifying the R grain and B grain.

Click **Set** to save your changes.

Picture Adjustment

Each of the Picture Adjustment settings is set to the recommended default.

Brightness – Adjust the image's brightness on the camera. The Backlight value is adjustable from **0** (dim) ~ **+20** (brightest).

Sharpness – Increasing the sharpness level can make the image looked sharper; it especially enhances an object's edge. The value of sharpness is adjustable from **0** ~ **+10** (sharpest).

Contrast– Adjust the contrast value from **-6** to **19**.

Saturation– Adjust the color saturation form **-6** to **19** (most saturation).

Hue– Adjust the hue from **-12** to **13**.

Backlight– Backlight compensation can correct for overly-bright backlit sceneries.

D-WDR Function– Turn the Digital Wide Dynamic Range Off, or adjust between **1** and **3**.

Click **Set** after making changes to the Picture Adjustment settings to save the settings and update the Live screen.

Motion Detection

Use the Motion Detection menu to configure the motion detection window(s). Here, Motion Detection can be turned On or Off, and other general settings can be specified.

To enable motion detection:

1. Use the **Motion Detection** dropdown to select a motion detection preset (1-4). If choosing an additional preset after 1, check the **On** checkbox.

Note A motion detection preset can be turned **Off** at a later time.

2. If desired, check the **By Schedule** check box and use the dropdown menu to select a schedule.
3. Designate the **Motion Detection Setting** values.
4. Check the appropriate boxes to designate the **Trigger Action**.
5. Click **Save**.



Add Detection Window

1. Use the **Motion Detection** dropdown to select a motion detection preset.
2. Click **Add**.

Note The selected motion detection square will be red.

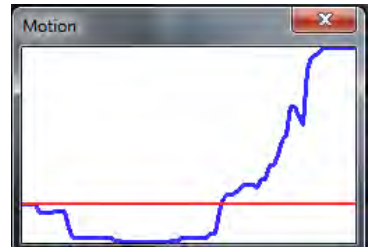
3. Arrange and size the motion detection window as desired.
4. Click **Save**.

Delete Motion Detection Window

1. Click to select the desired motion detection window.
2. Click **Delete**.

Motion Window

The motion window displays a red line and a dynamic blue line. The red line represents the Detection Level. The blue line will also be present if motion is present in the camera frame. The blue line will react accordingly based on the motion in the camera frame.



Stream Settings

Video Resolution

The camera provides eight codec options under video resolution (two single streaming options, two sets of dual streaming options, two sets of tri-streaming options, and two sets of quad-streaming options):

- H.264 Only
- MJPEG Only
- H.264 + H.264
- H.264 + MJPEG
- H.264 + H.264 + H.264
- H.264 + H.264 + MJPEG
- H.264 + H.264 + H.264 + H.264
- H.264 + H.264 + H.264 + MJPEG



Once a codec option is selected, multiple resolutions are available for each stream.

Note Due to resource management, some resolutions may be unavailable when selecting a dual stream option.

Video Orientation

Normal Video – The video will be oriented as the camera position dictates.

180 Degree Rotate – Rotate the video 180 degrees.

90 Degree Clockwise – Rotate the video 90 degrees clockwise.

90 Degree Counter Clockwise– Rotate the video 90 degrees counter clockwise.

Mirror Video – Flip the video across the vertical axis.

Mirror + 180 Degree Rotate – Flip the video across the vertical axis and rotate 180 degrees.

GOP Size

The Group of Pictures settings allow you to modify the frame structure of the video stream. This setting changes the frequency of the I-frames that occur within the stream of P-frames (2~64). Increasing this number increases the number of P-frames between each I-frame; decreasing the file size of the stream, but increasing the risk of video decoding errors. Decreasing this number decreases the number of P-Frames between each I-frame; increasing the file size of the stream, but decreasing the risk of video decoding errors.

AvertX recommends setting the GOP to be approximately twice the frame rate (e.g.: if the frame rate is 10 IPS, then set the GOP to 20).

H.264 Profile

The H.264 Profile may need to be changed if you are using a third party recorder that is not capable of decoding H.264 Main Profile video compression. Select compatible compression type for each stream if necessary.

Video Frame Rate

Setting the camera to transmit fewer frames can save bandwidth. Use the Frame Rate Control screen to adjust the frame rate of each stream.

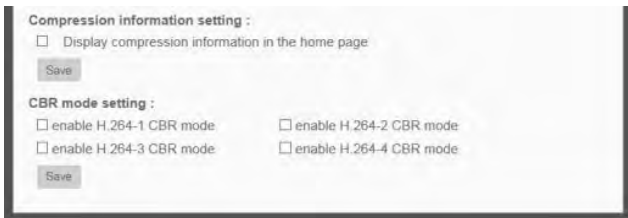
Each of the MJPEG and H.264 streams can have a separate frame rate setting from 1 to 30 frames per second.

Note Higher frame rate will increase video smoothness, as well as file size and bandwidth usage.

Note Lower frame rate will decrease video smoothness, as well as file size and bandwidth usage.



Video Compression



You can select an MJPEG / H.264 compression mode on the video compression page appropriate for your application. You can also select to display compression inflation on the Live Screen.

MJPEG compression settings include:

- High compression, low bitrate, low quality
- Middle compression, default
- Low compression, high bitrate, high quality

H.264 compression settings include:

- 1024kbps, highest compression, lowest quality
- 2048kbps
- 4096kbps, middle compression, default
- 6144kbps
- 8192kbps, low compression, highest quality

CBR Mode Setting

- The Constant Bit Rate mode allows you to lock in the bit rate of the H.264 stream. If this setting is not enabled, bit rate may fluctuate based on available bandwidth.

ADVANCED

SYSTEM SETTING

Network Setup

The Network Setup settings will automatically be set at the recommended default after the camera connection is made.

DDNS

DDNS (Dynamic Domain Name Service) is a service that allows a connection to an IP address using a hostname (URL) address instead of a numeric IP address. Most Internet Service Providers use Dynamic IP Addressing that frequently changes the public IP address of your internet connection; this means that when connecting to the camera over the internet, you need to know if your IP address has changed. DDNS automatically redirects traffic to your current IP address when using the hostname address.

- **Enable DDNS** – Select the check box to enable DDNS.
- **Provider** – Select a DDNS host from the Provider list.
- **Host name** – Type the registered domain name in the field.
- **Username/E-mail** – Type the username or e-mail required by the DDNS provider for authentication.
- **Password/Key** – Type the password or key required by the DDNS provider for authentication.

Network Advanced

QoS

Quality of Service allows you to prioritize network traffic services of the camera's functions. The QoS function utilizes the Differentiated Services prioritized using Codepoint vales (DSCP).

Note Routers and switches on the network must be QoS or DSCP capable, and have these settings enable for this function to operate on your network.

SNMP Settings

With Simple Network Management Protocol (SNMP) enabled, the camera can be monitored and managed remotely with a network management system. Contact your network administrator if you are not familiar with SNMP setup.

UPnP (Universal Plug N' Play)

- **Enable UPnP** – When enabled, the camera will appear in My Network Places on Windows computers running UPnP on the same network.
- **Enable UPnP Port Forwarding** – When enabled, the camera will attempt to open the web server port on the router automatically.
- **Friendly Name** – Set a name to easily identify the camera.

Network Security

HTTP

The camera can send alarm messages to a specific Hypertext Transfer Protocol (HTTP) site when motion is detected or when the sensor input is activated. You can assign alarm messages to up to two HTTP sites.

IP Filtering

IP Filtering allows you limit access to your IP cameras by IP address. You can “Allow” or “Deny” a specific IP address by adding it to the appropriate list. IP addresses on the “Allowed IP List” will be able to access the IP camera. IP addresses on the “Deny IP List” will NOT be able to access the IP camera.

IEEE 802.1XSEAP-TLS

This is a well supported security protocol commonly used by wireless vendors. This security method requires a valid CA certification and key. When properly configured, all communication between the client (usually a recorder) and the camera is encrypted.

Alarm Application

The alarms menu is where alarm connections are configured.

Alarm Switch – Designate when the alarm will be active; Off, On, or By Schedule.

Alarm Type – Designate if the alarm is normally open or normally closed.

- **NOH** – NO stands for Normally Open.
- **NC/L** – NC stands for Normally Closed.



Example: A door sticker consists of two contacts that are connected when under normal conditions. This type of input would be a NC/L or normally closed alarm. The alarm will trigger when the two contacts are no longer connected, such as an abnormal condition when the door is opened.

Alarm Output – Choose high or low.

Trigger Action – Specify which actions the camera should take when motion is detected.

- **Send Alarm Message by FTP / E-mail** – Select to send an alarm message to a configured FTP and/or e-mail address when motion is detected. When sending to email, the alarm notification is text only. When sending to FRP, the alarm notification will upload a text file to the FRP location.
- **Upload Images by FTP** – Select to assign an FTP site and configure various parameters as shown in the figure below. When motion is detected, event images will be uploaded to the appointed FRP site.
- **Upload Image by E-mail** – Select to assign an e-mail address and configure various parameters as shown in the figure below. When motion is detected, event images will be sent to the appropriate e-mail address.

Note Make sure SMTP or FTP configuration has been completed. See the Mail and FTP sections for more information.

- **File Name** – Enter a file name in the box, ex. Image.jpg. The uploaded image's file name format can be set in this section. Select the one that meets your requirements.

Consult the documentation to the sensor input device to determine which of these to use.

Tampering and Network Failure Detection

Tampering Alarm – Turn the Tampering Alarm On, Off, or On By Schedule.

Tampering Duration – Designate the amount of time (in seconds) that tampering must occur in order for a Tampering Alarm to activate.

Triggered Action – Designate the actions that will occur upon a Tampering Alarm activating.

Network Failure Detection – Turn the Network Failure Detection On, Off, or On By Schedule.

Detection Type – Designate the IP Address that will be tested and how often (in minutes).

Triggered Action – Designate the actions that will occur upon Network Failure Detection activation.

The screenshot shows a web interface for configuring 'Tampering and Network Failure Detection'. It is divided into two main sections: 'Tampering Alarm' and 'Network Failure Detection'.

Tampering Alarm Section:

- Tampering Alarm:** Radio buttons for 'Off' (selected), 'On', and 'By schedule: Please select...'
- Tampering Duration:** A text input field with '300' and 'sec'.
- Triggered Action:** A grid of checkboxes for 'Enable alarm output', 'Send message by FTP', 'Upload image by FTP', 'Send HTTP notification', 'Send message by E-Mail', 'Upload image by E-Mail', and 'Record video clip'. A note below states: 'Note: Local image attachments and FTP operations require JavaScript streaming.'
- File Name:** A text input field with 'image.jpg'. Below it are radio buttons for 'Add sequence number suffix', 'Add sequence number suffix (to maximum value)', 'Add sequence number suffix up to' (with a dropdown), and 'Overwrite'. A 'Save' button is at the bottom.

Network Failure Detection Section:

- Detection Switch:** Radio buttons for 'Off' (selected), 'On', and 'By schedule: Please select...'
- Detection Type:** A text input field with '0.0.0.0', a dropdown for 'every', and a dropdown for 'minutes'.
- Triggered Action:** A grid of checkboxes for 'Enable alarm output', 'Send message by FTP', 'Record video clip', and 'Send message by E-Mail'. A 'Save' button is at the bottom.

Mail, HTTP and FTP Setup

The camera can send an e-mail via Simple Mail Transfer Protocol (SMTP) when a variety of events occur. SMTP is a protocol for sending e-mail messages between servers. SMTP is a relatively simple, text-based protocol, where one or more recipients of a message are specified and the message text is transferred. The configuration page is shown as follows:

Two sets of SMTP accounts can be configured. Each set includes SMTP Server, Account Name, Password and E-mail Address settings. For SMTP server, contact your network service provider for more specific information.

SD Card

All AvertX IP cameras include an integrated microSD™ card slot that can be used to record video or images. The card slot is compatible with a microSD™ card up to 16GB.

Load Device Information – Displays the storage total size and free space information of the included microSD™ card.

Current Recording Partition – Amount of space designated for recording on the microSD card.

Format – Allows you to format the microSD card.

Eject – Safely eject the microSD card.

Recording List – Displays a list of files saved to the card. You can delete files from the card, or save them to your local PC.

Note If you are using Windows Vista, 7, or 8, you will need to change the Snapshot location. Windows UAC does not allow internet programs to write directly to C:\ for security reasons.

Network Share

Network Share is a network protocol that runs a variety of different system platforms, allowing for file sharing between computers operating on Windows and computers operating on Unix. This serves as an additional storage type.

Configuration requires the host IP address, share name, and credentials. Once configured, cameras can record events to the network share.

Note Network Share can be hosted on a Windows, Mac, or Linux system.



Recording Schedule

The recording schedule allows you to set up scheduled recording to the microSD™ card or to Network Sharing.

Recording

This section allows you to define recording schedules for the camera.

For continuous recording:

1. Select type of **Recording Storage**.
 - **microSD card™**: save recorded data to the microSD™ card located in the camera.
 - **Network Share**: save recorded data to the designated Network Share location.
2. Select **Always** as the type of **Recording Schedule**.
3. Click **Save**.



To set up scheduled recording:

1. Select type of **Recording Storage**.
2. Select **Only during time frame** as the type of **Recording Schedule**.
3. Use the appropriate check box to designate a day of the week.
4. Type a **Start Time** and **Duration**.
5. Click **Save**.
6. Repeat steps 3-5 for each desired day of the week until the desired schedule is completed.

Note Start Time and Duration are measured in 24-hour format (HH:MM).

To delete a recording schedule:

1. Select Disable for the type of Recording Schedule.

—OR—

Click on the desired weekday schedule and then click **Delete**.

Schedule

This section allows you to establish schedules to use in other section.



The screenshot shows a 'Schedule' configuration window. It features a table with 10 rows, each representing a schedule set. The columns are 'Weekday', 'Start time', and 'Duration'. Row 1 is highlighted. Below the table are radio buttons for 'Day' and 'Night', and checkboxes for days of the week (Sun, Mon, Tue, Wed, Thu, Fri, Sat). The 'Time' radio button is selected, with 'Start time' set to '00:00' and 'Duration' set to '24:00'. A 'Save' button is visible at the bottom left.

Schedule	Weekday	Start time	Duration
1	- - - - -	----	----
2	- - - - -	----	----
3	- - - - -	----	----
4	- - - - -	----	----
5	- - - - -	----	----
6	- - - - -	----	----
7	- - - - -	----	----
8	- - - - -	----	----
9	- - - - -	----	----
10	- - - - -	----	----

To create a schedule:

1. Select a Schedule set **(1-10)**.
2. Check the desired **week day** check boxes.
3. Select **Day** or **Night**.
4. Designate a **Start Time** and **Duration**.
5. Click **Save**.

Interval Recording



The screenshot shows an 'Interval Recording' configuration window. It has a radio button for 'Off' (selected) and 'On'. Below is a 'Time Interval' section with a 'Minimum Interval' set to '60' seconds. The 'Triggered Action' section includes checkboxes for 'Upload image by FTP' and 'Upload image by E-Mail', with corresponding input fields for 'FTP address', 'E-Mail address', 'Pre-trigger buffer', and 'Post-trigger buffer'. The 'File Name' section includes a 'File name' field set to 'image.jpg', a checked 'Add date/time suffix' option, and other options for adding sequence numbers or overwriting. A 'Save' button is at the bottom left.

Maintenance

On the Maintenance page you can export the camera's current configuration, or import the configuration for a camera. Use the factory default page to reset the IP Camera to factory default settings if necessary.

Note Do not import configuration files from different models of cameras.

Configuration

Export Configuration:

1. Check the appropriate boxes for information that you want exported.
2. Click **Export Configurations**.
3. The .bin file will be saved.

Note The default location for exported configurations is C:\

Upload (Import) Configuration:

1. Click **Browse** in the Configuration Import box.
2. Select a .bin file that you want to import.
3. Click **Import**.
4. Click **Yes** when prompted that the import will cause a system reboot.

Factory Default

There are two factory default settings available: Full Restore that restores default settings including network settings, and a Partial Restore that restores default settings excluding network settings. A system reboot is also available; this preserves all settings.

Note If a Full Factory Default is used, you will need to use the Network Camera Manager to find the desired camera(s) again.

Software

Note Make sure the software upgrade file is available before starting the software upgrade.

1. Click **Browse** and find the upgrade file.

Note Do not change the file name, or the system will fail to find the file.

2. Select the file name from the list under **Step 2**.
3. Click **Upgrade**. The system will check to find the upgrade file, and then start to upload the upgrade file. The upgrade status bar will display on the page. When it reaches 100%, the viewer will return to Home page.
4. Close the internet browser.
5. Go to the **Windows Control Panel** and double-click **Add or Remove Programs**. Locate the **Camera Viewer** software on the **Currently installed programs** list and click **Remove** to uninstall the previous software version.
6. Open the internet browser again and log in to the camera. The system will automatically download the new version of the Camera Viewer software.

PICTURE SETTING

Video Mask

You can use the video mask page to define a privacy mask to keep users from viewing parts of the image. You can enable up to five privacy masks and choose a color to obscure the live view from users.

Hot Spot

The Spot feature allows you to transmit different parts of the camera image on separate streams. Each stream is displaying a portion of the image at the full size of a regular image. This is useful for focusing on details in different areas of a single camera view.

Text Overlay

Text Overlay allows you to select text to be displayed over the video. Three options are available: Date, Time, and a Custom String (up to 20 alphanumeric characters).

STREAMING SETTING

Audio

Audio Input Grain – sets the amplification that the camera applies to the incoming audio before transmitting.

Audio Output Delay – Sets a delay in the audio transmission. This is used when there is significant lag in video transmission to help sync the audio and video.

Volume – Sets the audio output volume level (for listening to live audio).

Network Transfer – Sets the camera to continue transmitting audio even if the video stops.

LOGOUT

The Logout tab allows you to switch between users.

1. Click **Logout**.
2. If prompted to close the browser window, click **Yes**.
3. Using the Network Camera Manager Software, select the camera you wish to view in the Viewer Software.
4. Click **Browse**.
5. Login as the appropriate user.

SPECIFICATIONS

CAMERA SPECIFICATIONS

Model	HD6012-RW
Maximum Resolution	1080p (2MP)
Image Sensor	Sony 1/2.8" CMOS
Video Compression	H.264 / MPEG4 / MJPEG
Frame Rate	30 IPS @ 1080P [1920 x 1080 / 2MP] 30 IPS @ 1280 x 1024 (1.3MP) 30 IPS @ 720P [1280 x 720 / 1MP] 30 IPS @ D1 [720 x 480] 30 IPS @ CIF [352 x 240]
ONVIF	Profile S
Streaming	Up to 2 simultaneous streams
Browse Support	Internet Explorer (Active X)
Day / Night	True Day/Night (IR Cut Filter)
Wide Dynamic Range	True WDR
Lens	4 mm
Horizontal Field of View	86°
Iris	F2.0 Fixed
Minimum Illumination @ 50IRE	Color: 4.0 Lux @ F1.6 B/W: 0.8 Lux @ F1.6 0 Lux w/IR LED ON
Minimum Illumination @ 30IRE	Color: 2.4 Lux @ F1.6 B/W: 0.5 Lux @ F1.6 0 Lux w/IR LED ON
White Balance	Auto, Manual, Preset
Auto White Balance Range	2000~11000K

Model	HD6012-RW
Backlight Compensation	Yes
Auto Gain Control	Yes
IP Rating	N/A (Indoor)
Operating Temperature	14°F (-10°C) ~ 122°F (50°C)
Active / Passing Cooling	Active (Fan)
Power Consumption	5W Max
Rated Amperage	0.41A (12vDC)
Input Voltage	PoE / 12vDC
PoE Class	0
IR Range	Up to 30 ft (9 m)
IR LED	15 IR LED
Audio In/Out	1 / 1
Alarm In/Out	1 / 1
microSD Card Slot	microSD / microSDHC 32GB max
Weight	0.5 lb (221 g)
Dimensions	(W x H) 3.56" x 4.5" (90.4 mm x 114.5 mm)
Housing / Dome Cover	White / Clear
Tilt / Rotation	Tilt = 50° Rotation - 360°

www.AvertX.com
1-855-228-3789

© 2016 AvertX

All rights reserved. No part of this publication may be reproduced by any means without written permission from AvertX. The information in this publication is believed to be accurate in all respects. However, AvertX cannot assume responsibility for any consequences resulting from the use thereof. The information contained herein is subject to change without notice. Revisions or new editions to this publication may be issued to incorporate such changes.