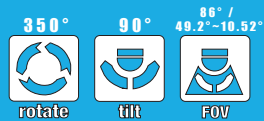




Indoor Drop Ceiling Camera

Quick Start Guide

model no: C6022-APW
C6022-FPW

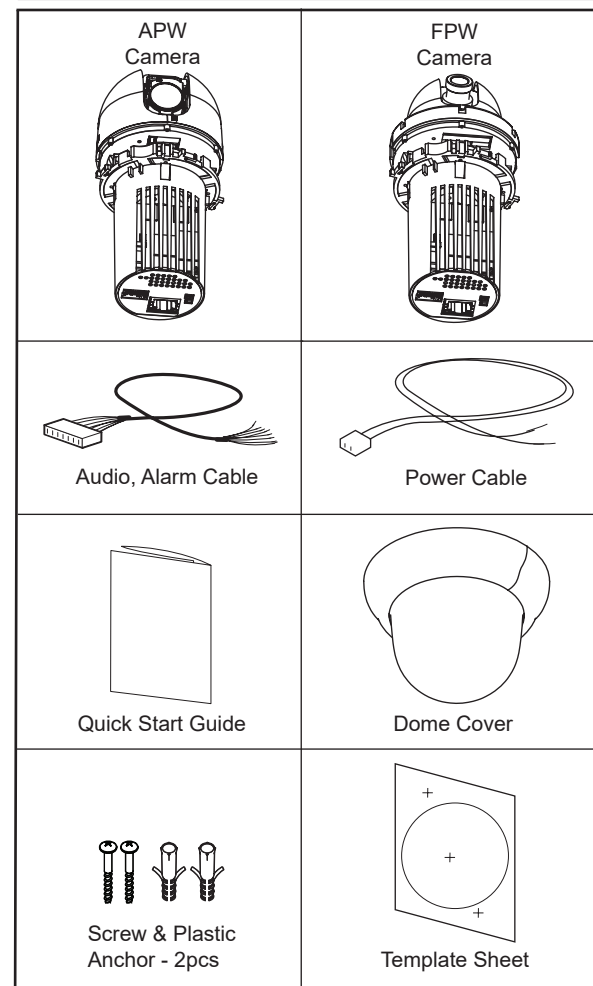


Please carefully read these instructions before using this product. Save this document for future use.

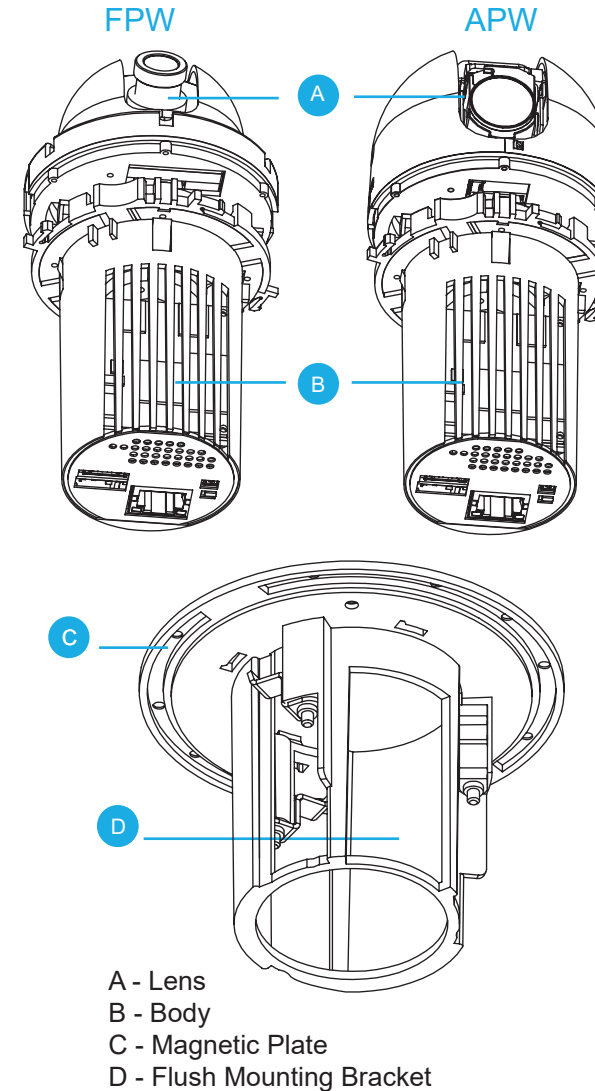
1. General Specifications

Model No.	C6022	
	FPW	APW
Image Sensor	Sony 1/2.8" CMOS	
IP Rating	N/A (Indoor)	
Wide Dynamic Range	True WDR	
Minimum Illumination @ 50 IRE	Color : 4.0 Lux @ F1.6 B/W: 0.8 Lux @ F1.6	Color : 4.6 Lux @ F3.5 B/W : 1.5 Lux @ F3.5
Minimum Illumination @ 30 IRE	Color : 2.4 Lux @ F1.6 B/W: 0.5 Lux @ F1.6	Color : 2.8 Lux @ F3.5 B/W : 0.9 Lux @ F3.5
Day / Night	True Day / Night	
Resolution	1080p (2 MP)	
Focal Length	4 mm (86° FoV)	5 ~ 25 mm (5x zoom) (49.2° ~ 105.2° FoV)
Iris Control	F 2.0 Fixed	F3.5 ~ F3.7
Video Output	1.0Vpp 75Ω BNC Unbalanced	
White Balance	Auto, Manual, Preset	
Auto White Balance Range	2000K ~ 11000K	
Backlight Compensation	Yes	
Auto Gain Control	Yes	
Operating Temperature	14°F (-10°C) ~ 122°F (50°C)	
Power Consumption	8.2W Max	9W Max
Rated Amperage	0.68A	0.75A
Input Voltage	Power over Ethernet / 12vDC	
Weight	0.78 lb (354 g)	0.93 lb (422 g)
Dimensions	(W x H): 4.375" x 5.875" (111 mm x 149 mm)	
Housing / Dome Cover	White / Clear	

2. Products and Accessories



3. Product Overview

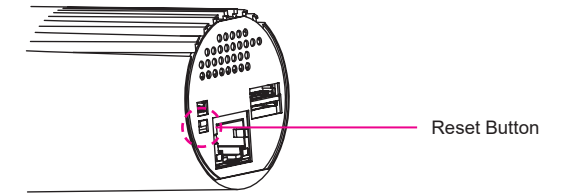


4. Before Installation

Before installing your camera, read the following precautions:

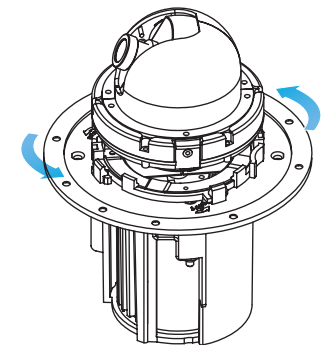
- Determine if the site of installation can bear a minimum of five times the camera weight.
- Ensure that all cable runs are secure and meet local fire codes.
- When installing your camera, be sure the installation site is clear of unnecessary personnel and debris.

- Reset to Factory Default:**
Press the **Reset** button for 5 seconds to return the setup to the factory default.
- Warning:**
If you press the **Reset** button, you will lose all settings.

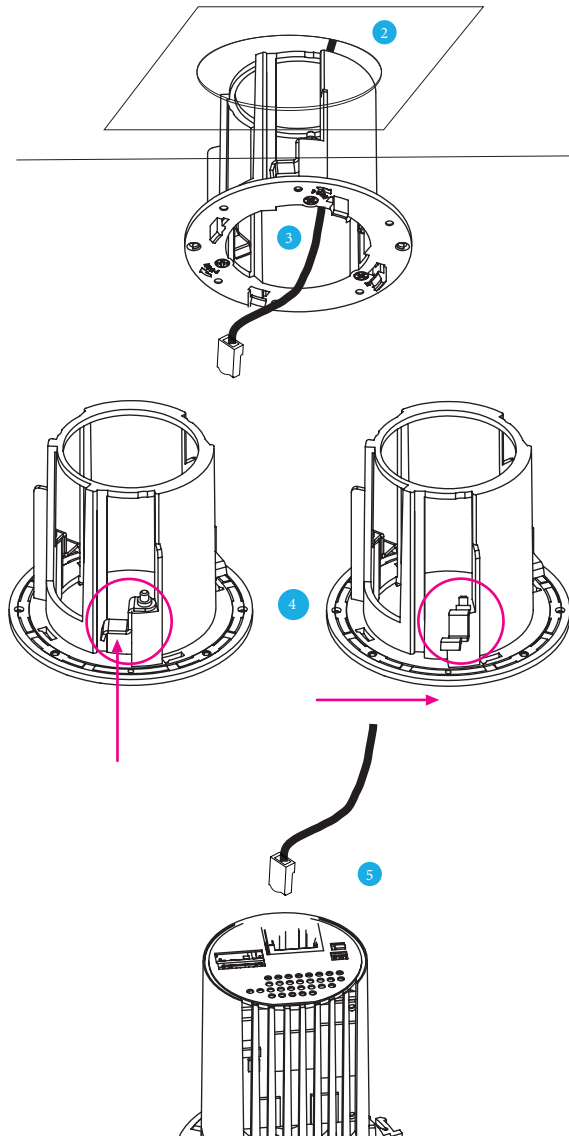


To access the restart button, detach the body from the flush mount bracket.

- Turn the body counter-clockwise and pull.



5. Installation Using Tension Hooks



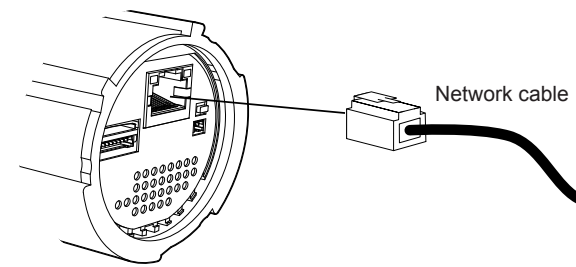
- 1 Disassemble the camera. See '4. Before Installation.'
- 2 Using the template sheet provided, make a hole for the flush mount bracket in the ceiling.
- 3 Pull the cable through the hole in the ceiling and through the flush mount bracket.
- 4 Using a screwdriver, push the tension hook upward, then to the side. This will create tension against the flush mount bracket to hold it in place.
- 5 Connect the cables to the camera. See '6. Cabling.'
- 6 After inserting the body into the flush mount bracket, turn the body clockwise to secure the body in the flush mount bracket.
- 7 Slide the upper dome onto the camera and the magnets will connect to the flush mount bracket, securing the upper dome.

6. Cabling

This camera is compatible with 12vDC and Power over Ethernet (PoE). Connect power to the camera using the provided power connector lead or connect the camera to a PoE power source. If you are connecting 12vDC power, verify the polarity of the power connection. If you are using PoE, make sure the Power Sourcing Equipment (PSE) is in use in the network.

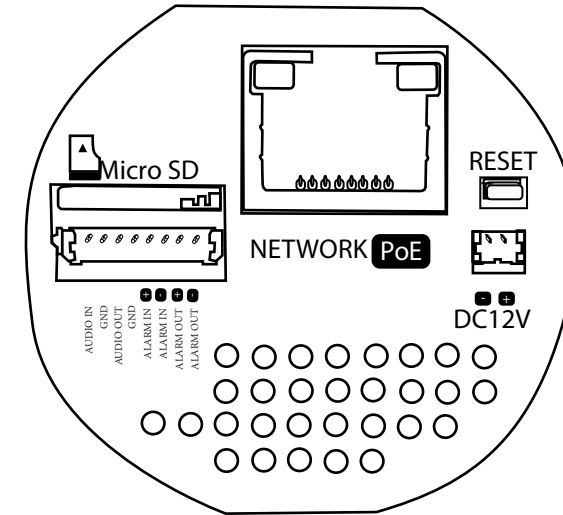
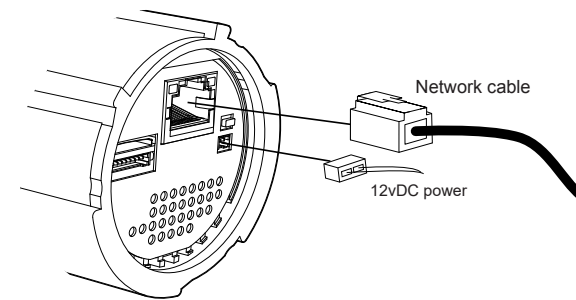
PoE Power Source:

PoE allows for the transmission of power and data via a single Ethernet cable. PoE eliminates the need for multiple cables to support power and recording. Follow the installation below to connect the camera to a PoE enabled switch using an Ethernet cable.



12vDC Power:

If PoE is not being used, a power adapter is needed for power transmission. Follow the instructions below to connect the camera without a PoE cable.



7. Connecting to the IP Camera

To access the camera setup menu, you need to install the AvertX Network Camera Manager on your PC or recorder. To install the AvertX Network Camera Manager application on your PC, download the program from AvertX.com/downloads, and follow the prompts. AvertX.net, and follow the prompts.

1. Open **Network Camera Manager**, and click **Find Devices**.
2. Locate your camera on the **Network Camera Manager** list.
3. To open the viewer software in your web browser, double-click the camera, and then click **Browse**.

The first time you connect to the camera you will automatically be prompted to install the ActiveX controller. If your internet browser doesn't install the viewer software, check the security settings or ActiveX controls and plug-in settings. If your internet browser asks for permission to install the ActiveX control, you must allow the ActiveX control to continue the installation.

To enable installation of ActiveX controls on Internet Explorer:

1. From the **Tools** menu, click **Internet Options**.
2. Click the **Security** tab and then click the **Internet** icon.
3. Click **Custom Level** and ensure that all **ActiveX controls and plug-ins** are set to **Enable or Prompt**.

To add the camera to your trusted sites:

1. From the **Tools** menu, click **Internet Options**.
2. Click the **Security** tab and then click **Trusted Sites** icon.
3. Click **Sites**.
4. Type the IP Address of the camera. Ensure that the **Require server verification** check box is cleared.

For additional information on adjusting the settings of your internet browser, contact your system administrator or refer to the FAQs at AvertX.net.

Default Username and Password

The username and password are case sensitive. It is strongly recommended that the password be changed after the initial setup to prevent unauthorized access.

Username - **admin**

Password - **1234**

8. Assigning an IP Address

AvertX IP cameras are set to get an IP address automatically using DHCP. If a DHCP server like a router is not part of your network, all cameras will have the default IP address 192.168.0.250.

AvertX recommends changing the IP address even if a DHCP server has assigned the camera an address.