

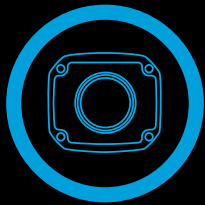
## HD920 QUICK START GUIDE

### About this Guide

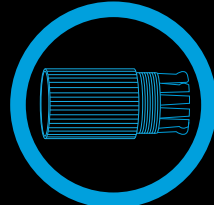
This guide is a quick reference that offers users basic information regarding installation and operation of the HD920 Night Vision Indoor / Outdoor High Definition IP Camera. For further details on installation and operation, please refer to the User Manual at [avertx.com](http://avertx.com).

## CONTENTS OF CAMERA BOX

Before proceeding, please confirm that the box contains the items listed here. If any item is missing or has defects, DO NOT install or operate the product and contact AvertX for assistance.



HD920 Bullet Camera



Waterproof Cable Connector



Anchors



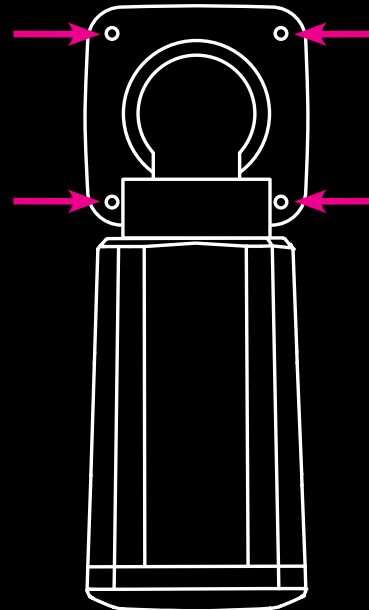
Documents & Desiccant



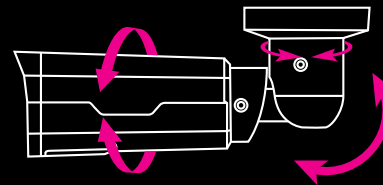
Screws

## INSTALLATION

### Align Holes on Wall



### Adjust Aim



The HD920 bullet camera can be installed directly onto a wall or ceiling. Be sure that the structure is strong enough to support the camera.

1. Remove the HD920 bullet camera from the packaging.
2. Connect the camera cable from the ceiling or wall to the dongle on the camera. If using the waterproof cable connector, attach it now. See instructions below.
3. Loosen the set screw on the camera bracket mount using the included wrench. Aim the camera down to access screw holes
4. Affix the camera base to the ceiling or wall with the included self-tapping screws. When mounting on an unprotected wall, the cable notch should be positioned downward.
5. Adjust the position of your camera. Be careful not to damage the cable when moving the camera.
6. Tighten the set screw to secure your camera.

**Note:** If mounting outside, seal the opening at the wall and the base of the camera with silicone caulking.

Improper installation may cause damage to your camera and void the warranty.

## NETWORK CABLE INSTALLATION

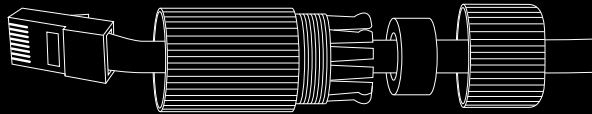
A 100' Cat5e non-plenum UTP camera cable is included with your camera. It is important to consider how the network cable is attached to the camera.

- If passing the cord through a wall or ceiling, drill a 7/8" hole.
- For outdoor installations, ensure the connection between your network cable and the camera jack is housed within a wall or indoors or use the waterproof cable connector.
- For outdoor installations, use silicone caulking to seal any holes in the wall or ceiling to protect against leaks.
- If your installation is in a commercial building, consult local fire codes. Plenum rated cable may be required.

## WATERPROOF CABLE CONNECTOR

This camera features an IP66-rated waterproof cable connector for unprotected outdoor connections. *You do not need to re-terminate the cable to use the waterproof cable connector.*

- Slide all pieces of the waterproof cable connector over the cable plug in this order:
  1. Small plastic ring
  2. Flexible silicone seal ring. You will need to stretch the silicone seal over the RJ-45 plug.
  3. Large plastic ring



- Connect the camera cable to the plug on the dongle. Screw the large plastic ring into the dongle.
- Insert the flexible silicone seal into the "crown" section of the large plastic ring
- Screw the small plastic ring into the large plastic ring

## AUTOFOCUS ZOOM LENS

The HD920 Bullet Camera is equipped with an Auto Focus Zoom lens. Do not try to manually focus this camera. Access focus and zoom functions through the +, - and AF buttons on your recorder.

Copyright © 2016 AvertX. All rights reserved. Information contained in this document is subject to change without prior notice. AvertX does its best to provide accurate information, but cannot be held responsible for typos or mistakes.

## CONNECTING TO THE CAMERA

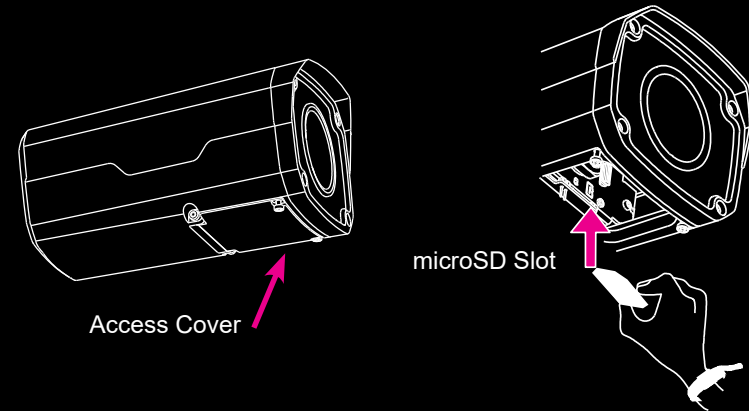
If you are using this camera with an AvertX recorder, follow the instructions in the recorder user manual to connect to your camera. You can also set up your camera using your PC.

1. Type the IP address **192.168.0.250** in the address bar of your browser
2. Enter username and password. The username and password are case sensitive. AvertX strongly recommends changing the password after the initial setup to prevent unauthorized access to the camera.  
Username – **admin**  
Password – **1234**
3. Viewer software may need to be installed on your PC the first time you connect to the camera. Download and install the viewer software when prompted.
4. Supported browsers: Chrome, Firefox, Edge, Internet Explorer. Please consult the user manual for additional browser support.

## MICRO SD CARD

Your HD920 camera is equipped with a slot for a microSD card. To access this, you must open the access cover of the HD920 camera.

If you have purchased a microSD card to be used for video backup, insert the formatted card into the slot. Refer to manual for compatible cards and how to properly format your microSD Card.



### For Further Instruction

For more information on installing your AvertX camera, see the user manual or view instructional videos at [avertx.com/videos](http://avertx.com/videos).

**1-855-2AVERTX (1-855-228-3789)**  
[www.avertx.com](http://www.avertx.com)